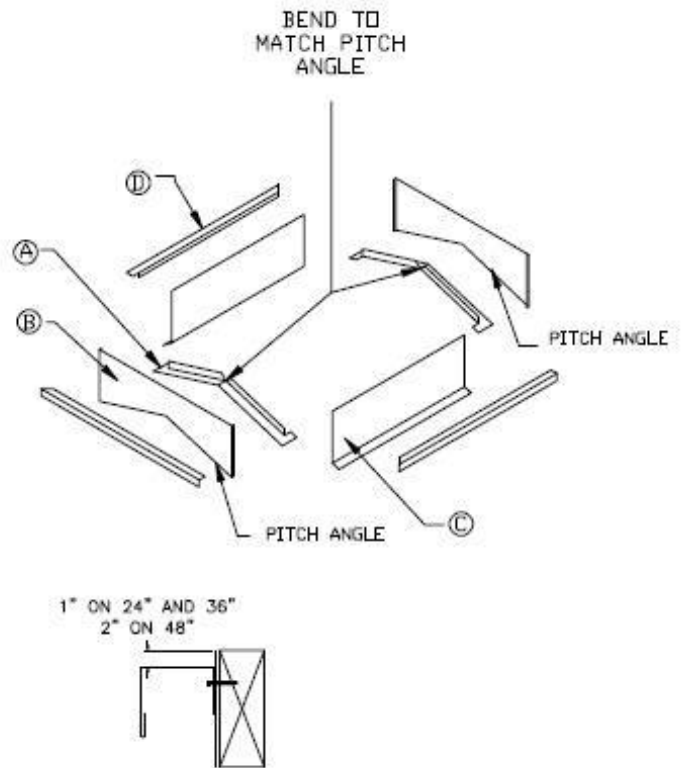


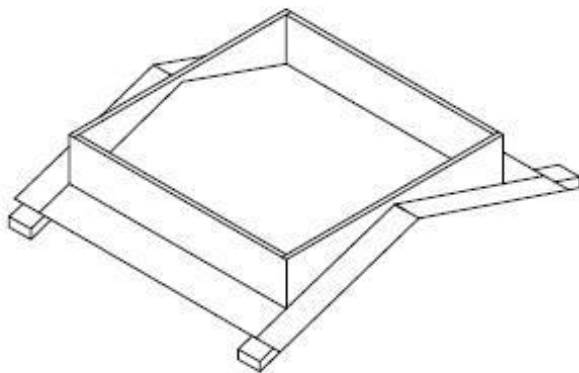
FLASHING INSTALLATION INSTRUCTIONS
MANUFACTURED BY METAL WORKS, INC.

PREMIUM FLASHING ASSEMBLY

- ① THE PREMIUM FLASHING IS PRECUT TO THE SPECIFIC ROOF PITCH.
- ② BEND PART 'A' TO MATCH THE ROOF PITCH AND ATTACH TO CURB (NAILS OR SCREWS MAY BE USED).
- ③ ATTACH PART 'B' OVER PART 'A' AND FASTEN TO CURB.
- ④ ATTACH PART 'C' AND CAULK ALL SEAMS.
- ⑤ TO CREATE A MORE FINISHED APPEARANCE, ATTACH PART 'D' AROUND THE PERIMETER OF THE CURB AS DETAILED.



STANDARD FLASHING



PREMIUM FLASHING

