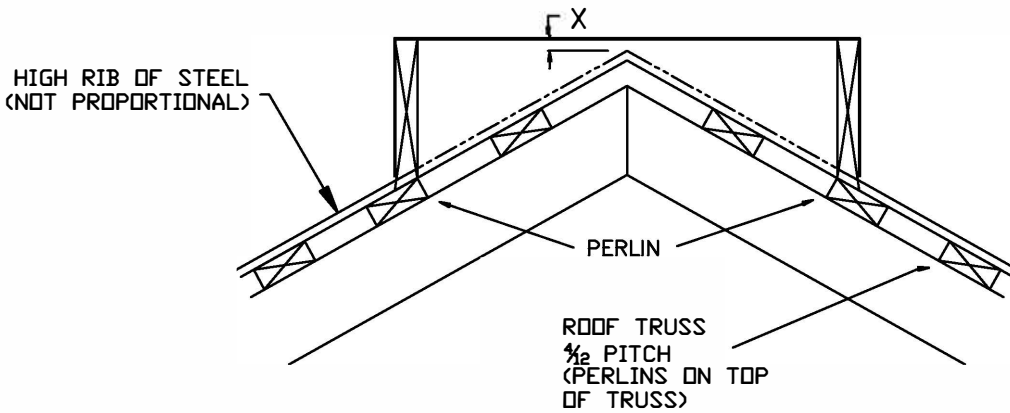


FLASHING INSTALLATION INSTRUCTIONS
 MANUFACTURED BY METAL WORKS, INC.

SECTION VIEW OF TYPICAL CUPOLA CURB
 WITH PERLINS OVER TOP OF TRUSS



ON REVERSE PAGE

FLASHING SIZE	X
24" STANDARD	1"
36" STANDARD	1"
48" STANDARD	2"
24" PREMIUM	4½"
36" PREMIUM	4½"
48" PREMIUM	5½"

STANDARD FLASHING ASSEMBLY

- ① THE STANDARD FLASHING IS PRECUT TO THE SPECIFIC ROOF PITCH.
- ② BEND PART 'A' TO MATCH THE ROOF PITCH AND ATTACH TO CURB (NAILS OR SCREWS MAY BE USED).
- ③ ATTACH PART 'B' OVER PART 'A' AND FASTEN TO CURB.
- ④ ATTACH PART 'C' AND CAULK ALL SEAMS.

