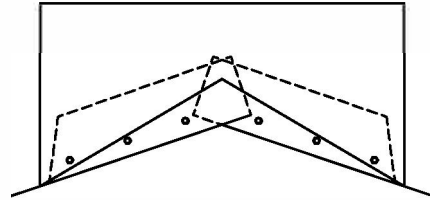


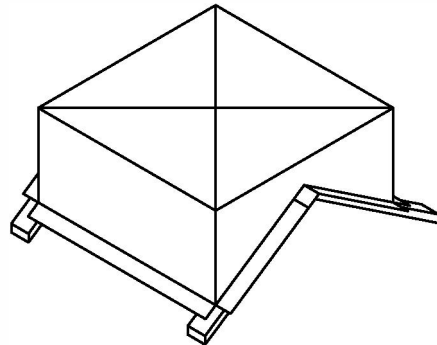
UNIVERSAL INSTALLATION INSTRUCTIONS
 MANUFACTURED BY METAL WORKS, INC.

- ① THE UNIVERSAL BASE IS FACTORY SET FOR A 4/12 PITCH. TO CHANGE TO LOWER PITCH, REMOVE SCREWS AND REPOSITION ANGLES AS NEEDED. REUSE SCREWS AFTER DRILLING HOLES FOR ALTERNATE PITCH.



- ② ON ROOF PITCHES STEEPER THAN 4/12, REMOVE SCREWS FROM ANGLES AND NOTCH THE SIDES FOR THE STEEPER ROOF PITCH. REUSE SCREWS TO REATTACH ANGLES. (7/12 MAXIMUM)

- ③ FASTEN UNIVERSAL BASE OVER STRUCTURE (FASTENERS SUPPLIED BY THE CONTRACTOR).



UNIVERSAL FLASHING (IF APPLICABLE)

- ④ BEND PART 'A' TO MATCH THE ROOF PITCH AND ATTACH TO UNIVERSAL BASE.

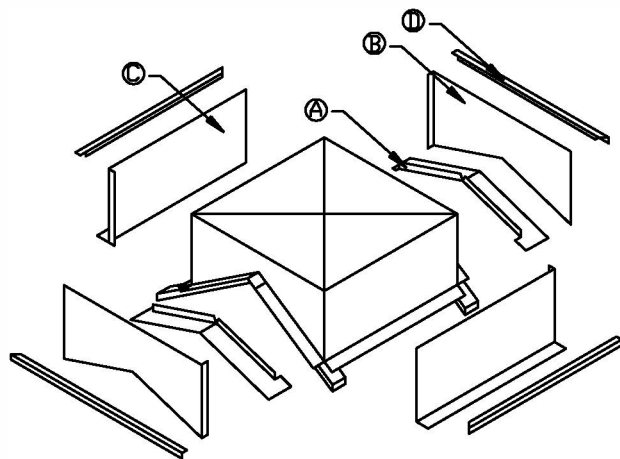
- ⑤ NOTCH PART 'B' TO THE ACTUAL ROOF PITCH AND ATTACH PART 'B' OVER PART 'A'.

- ⑥ ATTACH PART 'C', LAPPING THE STRAIGHT EDGE OVER THE FORMED EDGE OF 'B'.

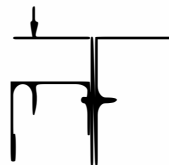
- ⑦ CONTINUE AROUND THE BASE, LAPPING OVER EACH CORNER FOR A FINISHED APPEARANCE.

- ⑧ CAULK ALL SEAMS.

- ⑨ TO CREATE A MORE FINISHED APPEARANCE, ATTACH PART 'D' AROUND THE PERIMETER OF THE BASE AS DETAILED.

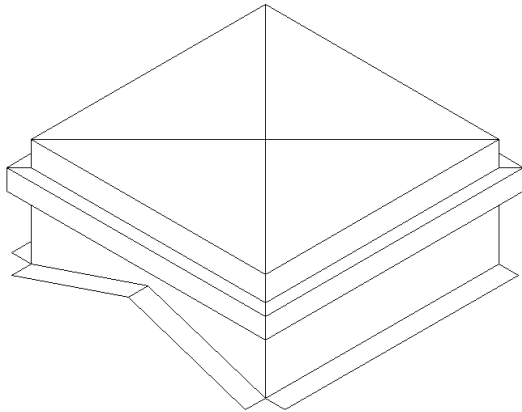


1" ON 24" AND 36"
 2" ON 48" AND 66"



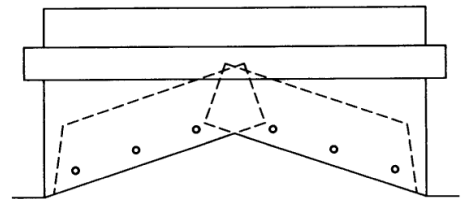
BUILT FOR POST FRAME

UNIVERSAL CUPOLA BASE



The Universal Cupola Base is designed with the installer in mind. Factory prepped at 4-12 pitch, this cupola base is factory assembled and requires no wood curb. It will adapt to roof pitches between 1-12 & 7-12. The same unit can be utilized for vented and non-vented applications. It is ideal for new construction or retrofits, as it can be installed on top of purlins or steel roofing. The Universal Base is available with a universal trim kit or powder coat option.

The Universal Base is factory prepped at 4-12 roof pitch. To modify to a lower pitch, remove screws and reposition angles as needed. Reuse screws after adjusting angles. For pitches higher than 4-12, notch the angled sides high enough to accommodate pitch and reattach angles. A diagram is provided below noting exact notch needed.



	24"	36"	48"
5/12			
6/12			
7/12			

We offer our Universal Base with a powder coat option or a trim kit. We offer over 28 colors in a powder coat finish. *(consult our color chart for available options)* If the base color is not offered in the powder coat finish, we offer a color-matched 29 ga 10-piece trim kit to cover our galvanized base. Directions are provided below for trim kit application.

The MWI universal base has a covered top to keep rain and snow out. The installer is to cut a ventilation opening if needed.

BEND PART "A" TO MATCH THE ROOF PITCH AND ATTACH TO UNIVERSAL BASE.

NOTCH PART "B" TO THE ACTUAL ROOF PITCH AND ATTACH PART "B" OVER PART "A".

ATTACH PART "C", LAPPING THE STRAIGHT EDGE OVER THE FORMED EDGE OF "B".

CONTINUE AROUND THE BASE, LAPPING OVER EACH CORNER FOR A FINISHED APPEARANCE.

CAULK ALL SEAMS.

TO CREATE A MORE FINISHED APPEARANCE, ATTACH PART "D" AROUND THE PERIMETER OF THE BASE AS DETAILED.

24" cupola = 16" x 16" opening
36" cupola = 24" x 24" opening
48" cupola = 32" x 32" opening

